



# UN Expert Group on the Integration of Statistical and Geospatial Information (EG-ISGI)

## – progress update

**Martin Brady**

**Co-Chair UN Expert Group  
on the Integration of Statistical and Geospatial Information**

**Director – Geospatial Solutions  
Australian Bureau of Statistics**



**UN-GGIM**

United Nations Committee of Experts on  
Global Geospatial Information Management



# Outline

1. Background to the Global Statistical Geospatial Framework
2. Progress on principle definitions
3. Progress on interoperability
4. Future directions



UN-GGIM

United Nations Committee of Experts on  
Global Geospatial Information Management



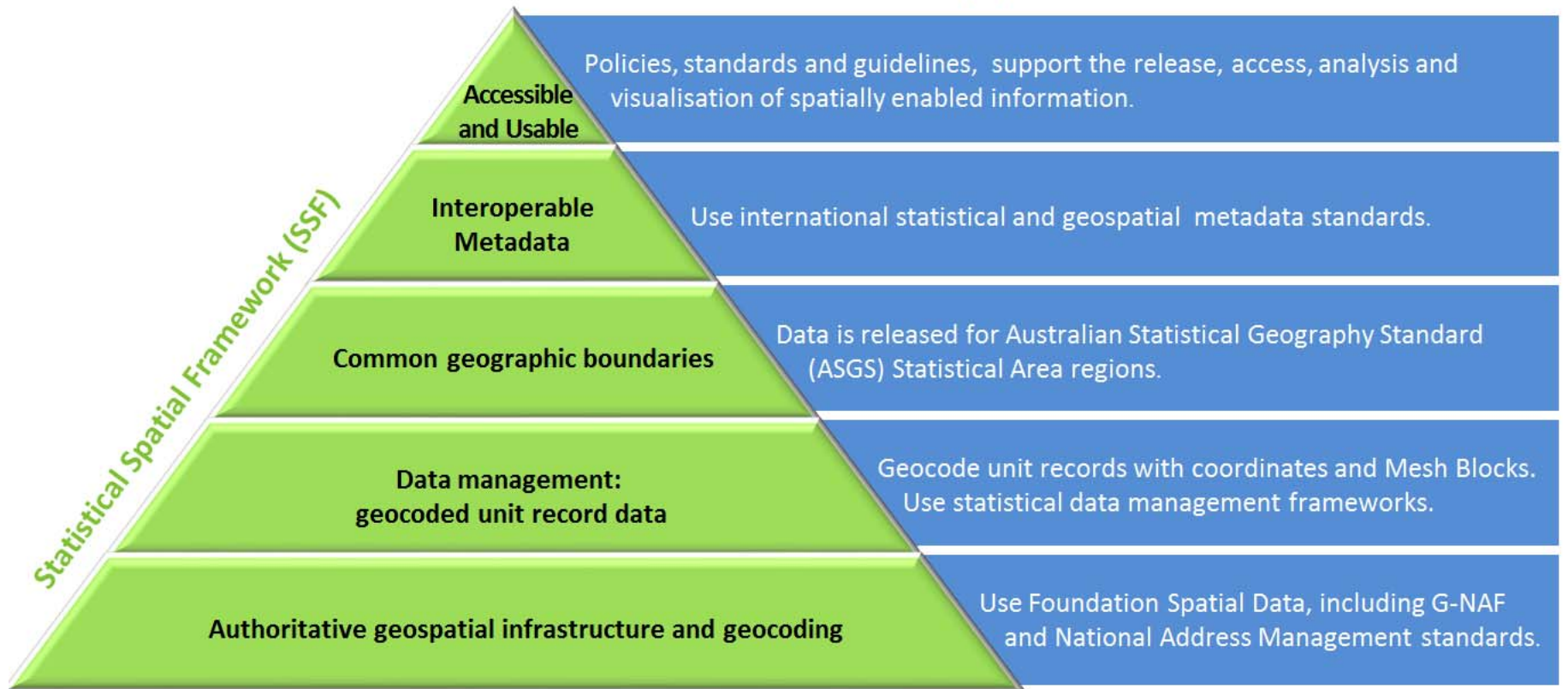
BETTER DATA  
BETTER LIVES

[unstats.un.org](http://unstats.un.org)

@UNStats #UNStatCom

# Australian SSF

## Australian application of SSF



UN-GGIM

United Nations Committee of Experts on  
Global Geospatial Information Management



BETTER DATA  
BETTER LIVES

[unstats.un.org](http://unstats.un.org)

@UNStats #UNStatCom

# International Mandate



UN Economic and Social Council (ECOSOC)

UN Statistical Commission (UNSC)

- Global Statistical-Geospatial program review – proposed a global framework

UN Committee of Experts on Global Geospatial Information Management (UN-GGIM)

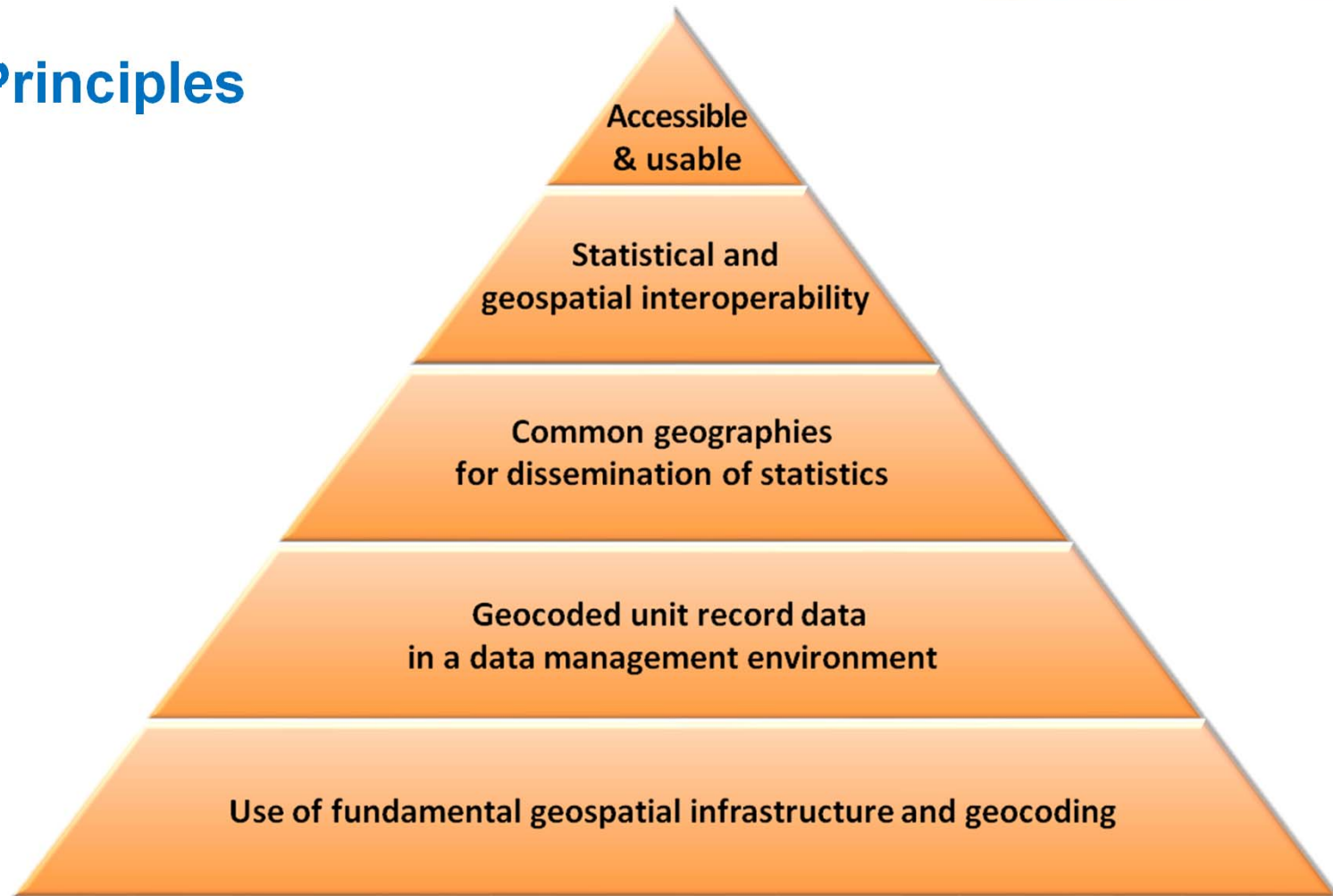
- List of nine issues included 'linking of spatial to statistics'

UN Expert Group – Integration of Statistical Geospatial Information

.... both communities

# Global Statistical Geospatial Framework

## 5 Principles



UN-GGIM

United Nations Committee of Experts on  
Global Geospatial Information Management



BETTER DATA  
BETTER LIVES

[unstats.un.org](http://unstats.un.org)

@UNStats #UNStatCom

# GSGF Purpose

“The Global Statistical Geospatial Framework will provide:

- a common method for geospatially enabling statistical and administrative data,
- ensure that this data can be integrated with geospatial information.”

*Proposal for a Global Statistical Geospatial Framework, UN-GGIM 6, 2016 New York*



UN-GGIM

United Nations Committee of Experts on  
Global Geospatial Information Management



BETTER DATA  
BETTER LIVES

unstats.un.org

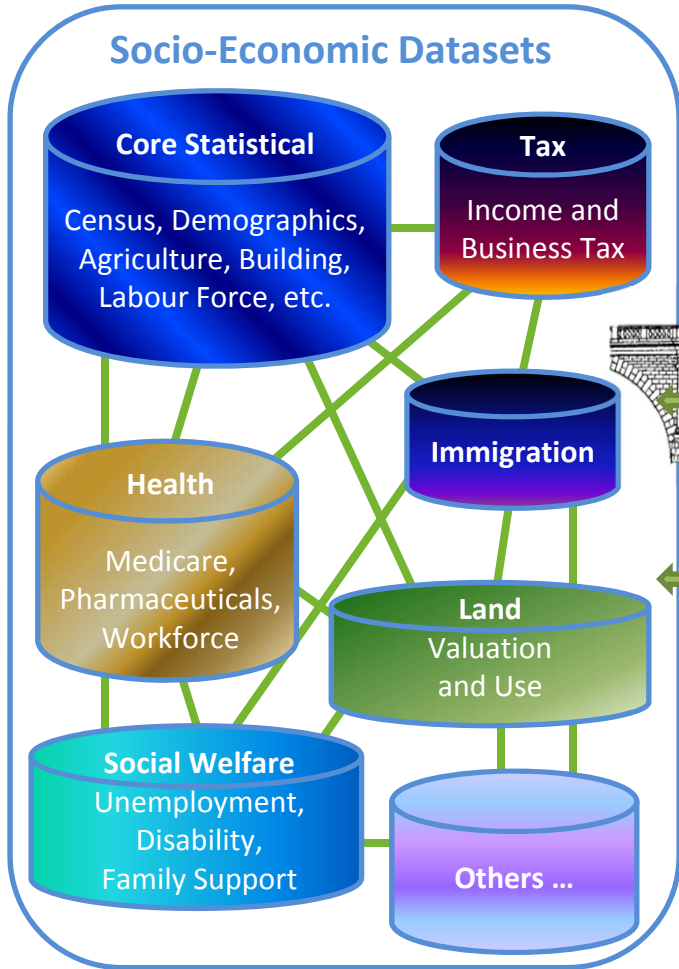
@UNStats #UNStatCom



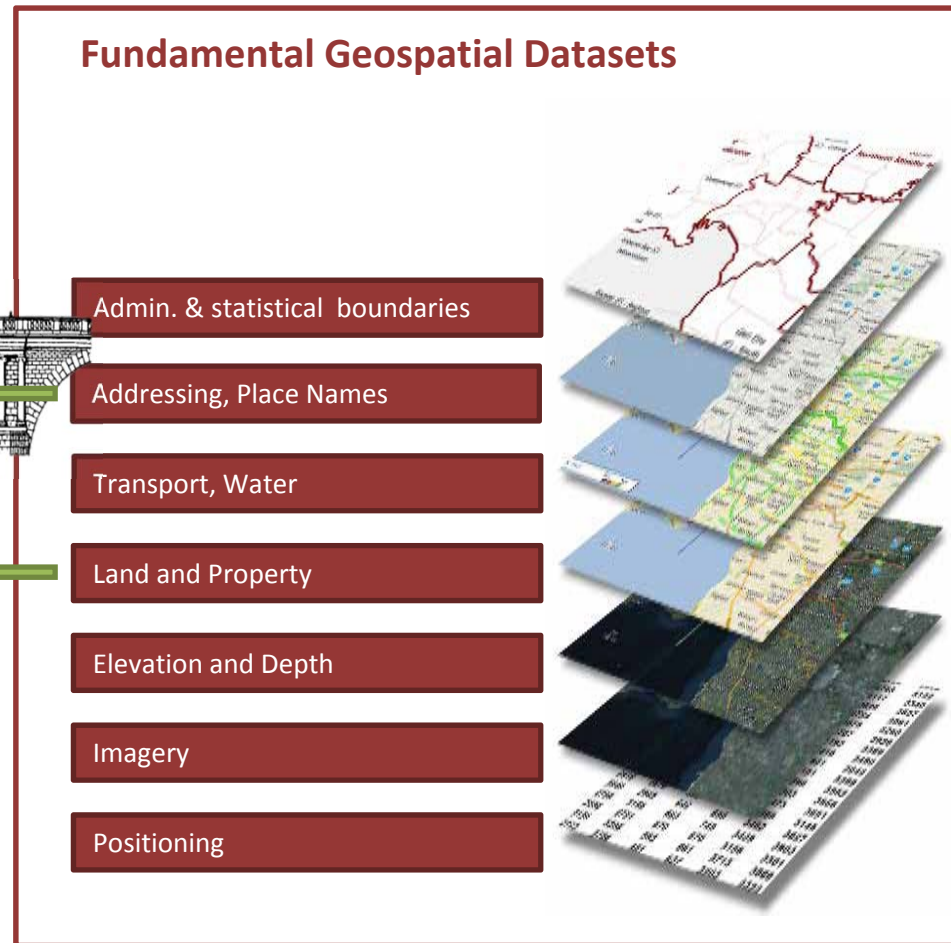
# Bridging between two communities



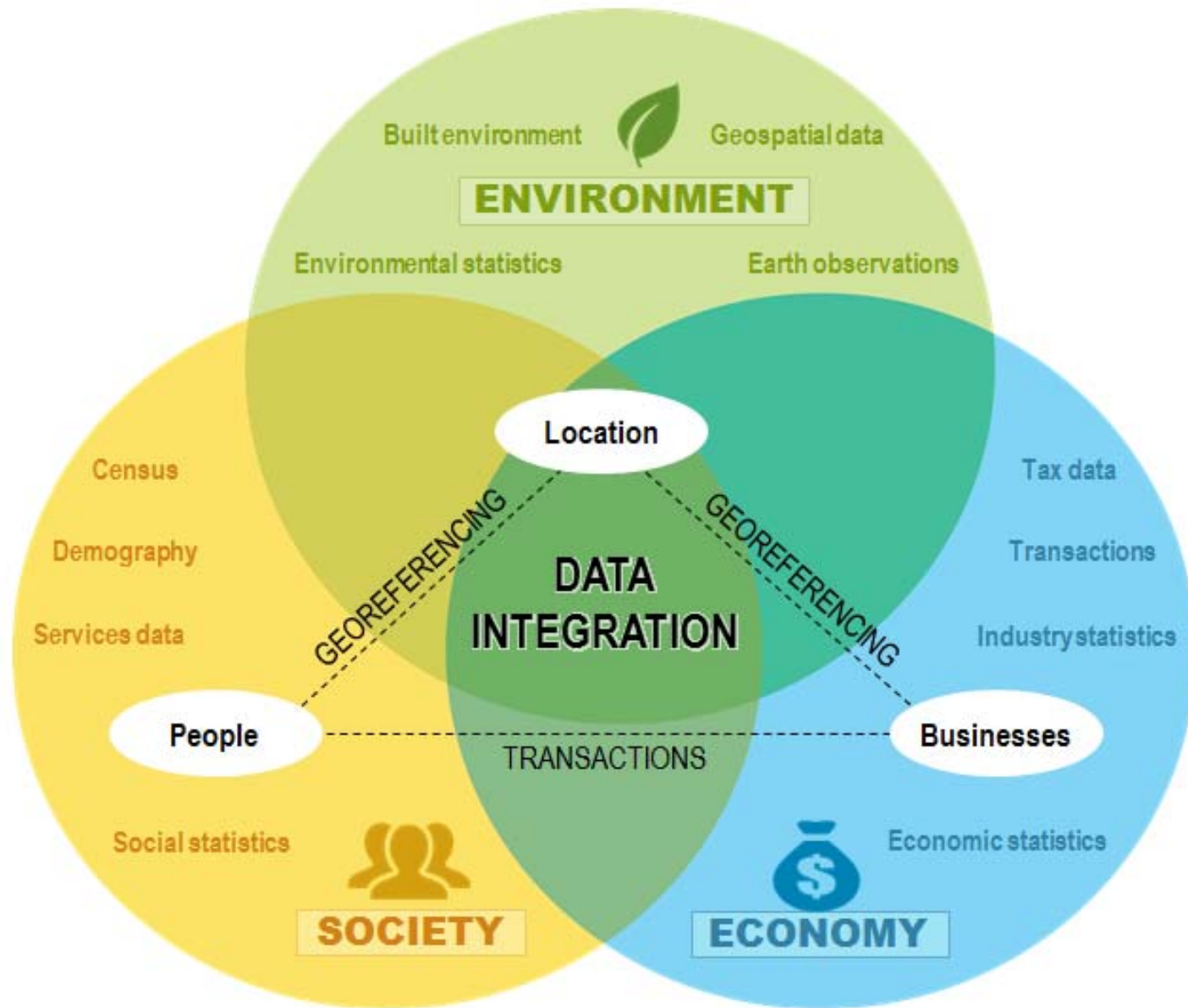
## Statistical Community



## Spatial Community

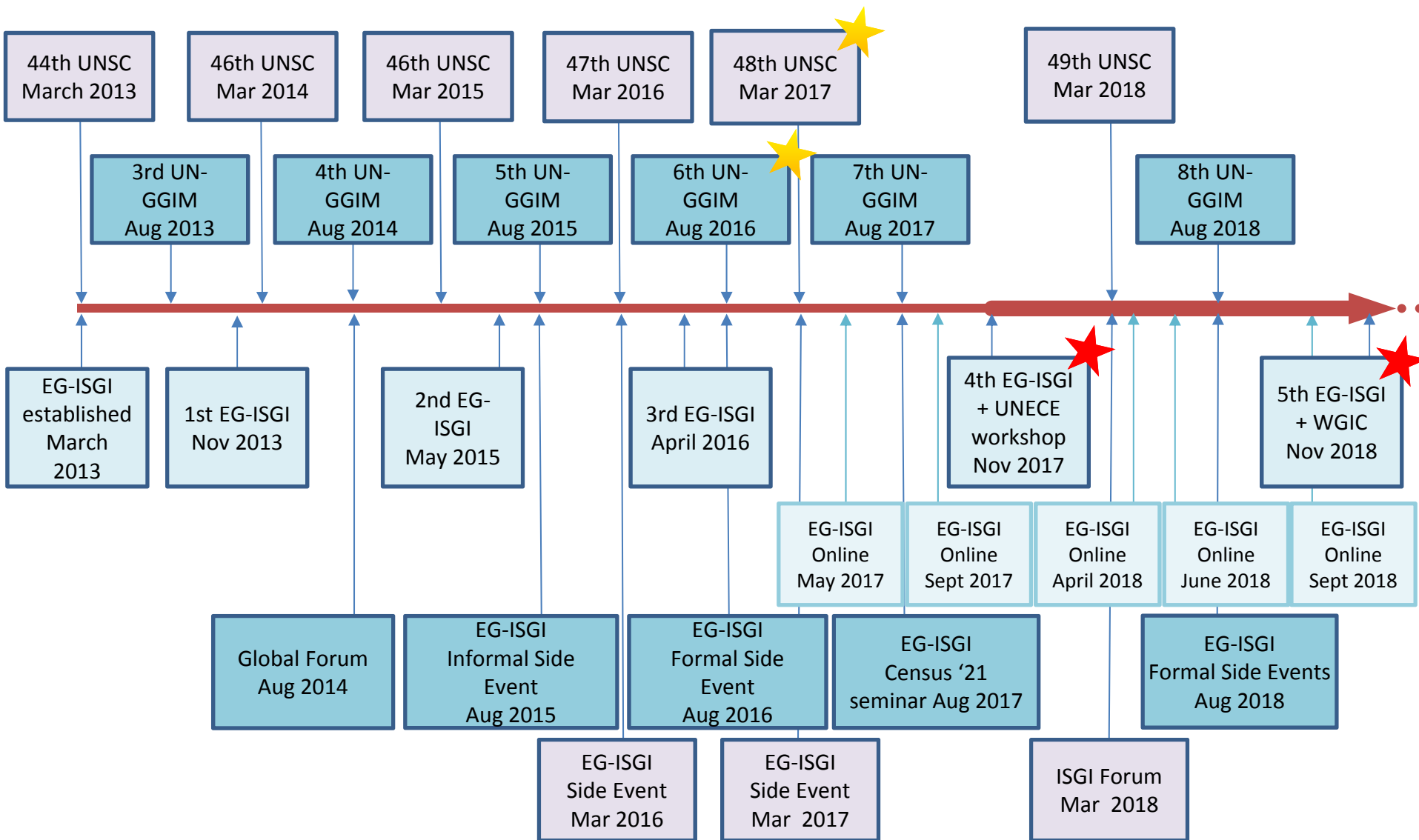


# Location – bridging the 3 domains





# EG-ISGI: Timeline



# EG-ISGI priority plans

- Elaboration, promotion and implementation of the Framework
- Capability-building and knowledge management
- Showcase country and regional implementations
- Promote and support statistical-geospatial interoperability initiatives
- Coordinate, incorporate and build on the work done by stakeholder organisations



UN-GGIM

United Nations Committee of Experts on  
Global Geospatial Information Management

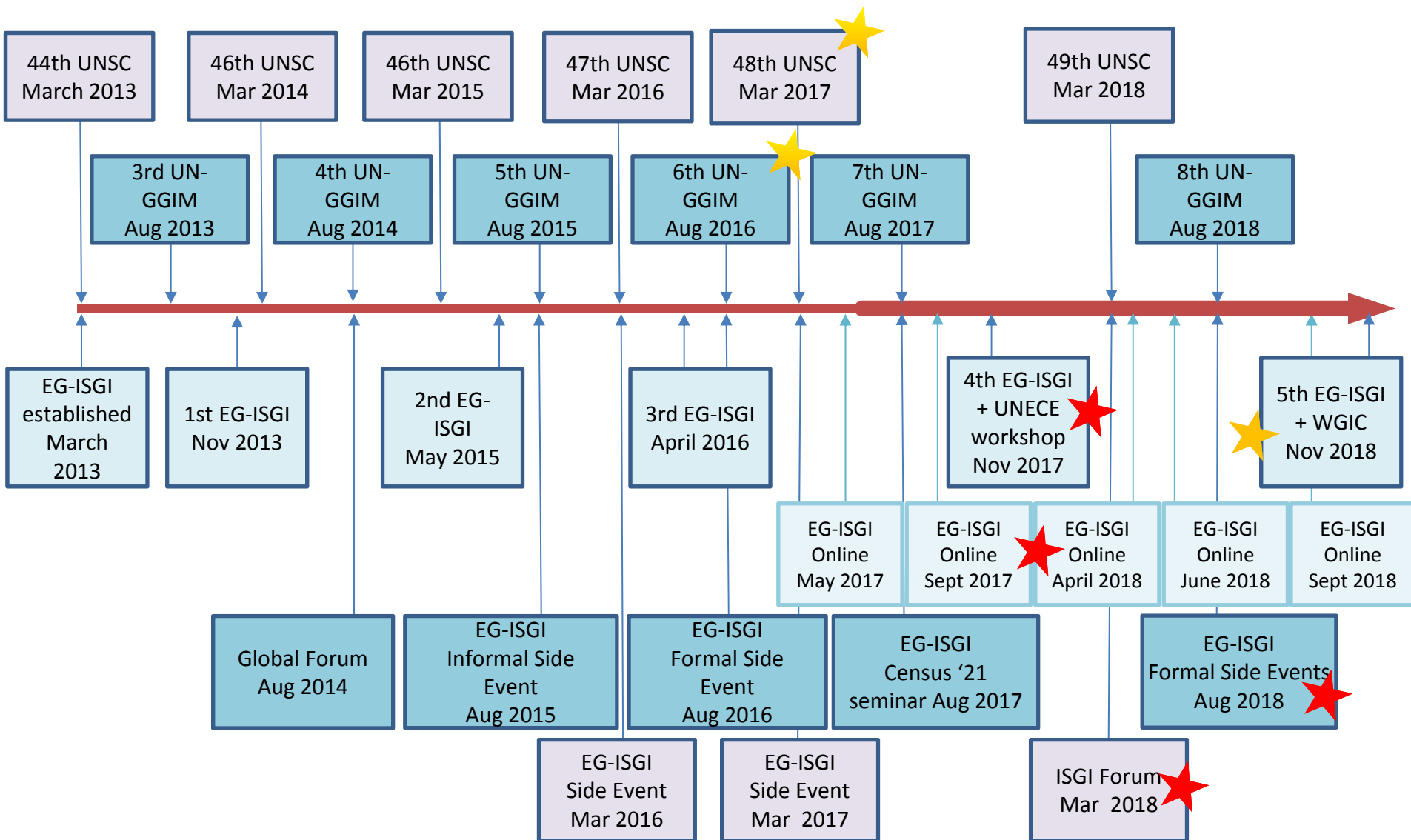


BETTER DATA  
BETTER LIVES

[unstats.un.org](http://unstats.un.org)

@UNStats #UNStatCom

# EG-ISGI: Timeline



## Global Statistical Geospatial Framework: Linking Statistics and Place

Current status and plans for development  
July 2018

United Nations Expert Group on the  
Integration of Statistical and Geospatial  
Information

**EG-ISGI webpage**



UN-GGIM

United Nations Committee of Experts on  
Global Geospatial Information Management



BETTER DATA  
BETTER LIVES

unstats.un.org

@UNStats #UNStatCom



# GSGF Principle Working Groups



UN-GGIM

United Nations Committee of Experts on  
Global Geospatial Information Management



# GSGF Principle Task Teams



## Lead countries - GSGF principles

GSGF Principle	Lead countries/orgs
Principle 1: Use of fundamental geospatial infrastructure and geocoding	Mexico / Germany
Principle 2: Geocoded unit record data in a data management environment	Australia / Sweden
Principle 3: Common geographies for dissemination of statistics	Poland / Candada
Principle 4: Statistical and geospatial interoperability	Eurostat / UNECE
Principle 5: Accessible and usable geospatially enabled statistics	UK / USA



**UNSD  
Secretariat**

## UN EG-ISGI

Co-chairs & UN EG-ISGI members

- GSGF Development
- Coordination and oversight

**UN-GGIM  
Knowledge Base**

GSGF Principle  
task team 1

GSGF Principle  
task team 2

GSGF Principle  
task team 3

GSGF Principle  
task team 4

GSGF Principle  
task team 5

Common for all GSGF Principle working groups, each should include as appropriate:  
EG-ISGI-group, Regional bodies, NMCAs, Other countries, Other organisations

Work program

Work program

Work program

Work program

Work program

Common for all work programs:

Specific tasks for the principle | Specify broad implementation goals | Specify optimum implementation model  
Collection of reference material, papers, guidelines, country implementation examples

Cross cutting issues - terminology, privacy and confidentiality, legal mandates, technical standards

# GSGF principle definitions

- Stockholm meeting – November '17 : Discussion
- Online meetings – April and June '18 : Status reports and planning
- UN-GGIM8 – August 2018 : Face to face work on definitions and feedback
- Online meeting – Sept '18 : Status reports and planning
- **WGIC/EG-ISGI meeting 5 – Final feedback on documents**
- **November 2019: Principles definitions final.**



Task  
team  
work



UN-GGIM

United Nations Committee of Experts on  
Global Geospatial Information Management



BETTER DATA  
BETTER LIVES

[unstats.un.org](http://unstats.un.org)

@UNStats #UNStatCom

# GSGF principle definitions

1. November 2019: GSGF principles definitions final
2. December - February 2019: GSGF principle documents undergo editing and harmonisation
3. March 2019 50<sup>th</sup> session of the UNSC: consolidated GSGF principles document tabled as a draft for comments
4. March 2019: GSGF principles document begins global consultation phase – 3 months
5. ....



UN-GGIM

United Nations Committee of Experts on  
Global Geospatial Information Management





# UNECE & UN-GGIM: Europe



## Workshop on Integrating Geospatial and Statistical Standards 2017

Stockholm, Sweden 6-8 Nov., 2017



UN-GGIM

United Nations Committee of Experts on  
Global Geospatial Information Management



BETTER DATA  
BETTER LIVES

[unstats.un.org](http://unstats.un.org)

@UNStats #UNStatCom

# Interoperability

## Short-term high impact projects

- Increasing visibility across communities of standards, framework and technologies
- Increase understanding of data exchange points across two communities
- Specific projects on pain points
  - identifiers, semantics and data storage



UN-GGIM

United Nations Committee of Experts on  
Global Geospatial Information Management



BETTER DATA  
BETTER LIVES

unstats.un.org

@UNStats #UNStatCom

# Interoperability



## Longer term proposals

- Increased collaboration and communication on standards across two communities
- Including geospatial processes and information in statistical frameworks and models
- Including statistics among the global fundamental geospatial data themes
- Core geospatial metadata for statistical products
- Collaboration on address and building registers



UN-GGIM

United Nations Committee of Experts on  
Global Geospatial Information Management





# OGC Stats Doman WG



## Summary from Ian Coady, United Kingdom



UN-GGIM

United Nations Committee of Experts on  
Global Geospatial Information Management



# Looking Forward

- Grow geospatial community engagement
- Follow through to further elaborate Global Framework and provide supporting material
- Work to enhance interoperability – OGC SWDG
- Promote and support implementation of the Global Framework
- Contribute to statistical-geospatial coordination, particularly on SDGs and 2021 Census



UN-GGIM

United Nations Committee of Experts on  
Global Geospatial Information Management



BETTER DATA  
BETTER LIVES

unstats.un.org

@UNStats #UNStatCom