



Global Statistical Geospatial Framework – update

Martin Brady

**Co-Chair UN Expert Group
for the Integration of Statistical and Geospatial Information**

**Director – Geospatial Solutions
Australian Bureau of Statistics
Australia**



UN-GGIM

United Nations Committee of Experts on
Global Geospatial Information Management



Outline

1. Origins of the Global Statistical Geospatial Framework
2. Purpose for the Global Statistical Geospatial Framework
3. Plans for the future



UN-GGIM

United Nations Committee of Experts on
Global Geospatial Information Management



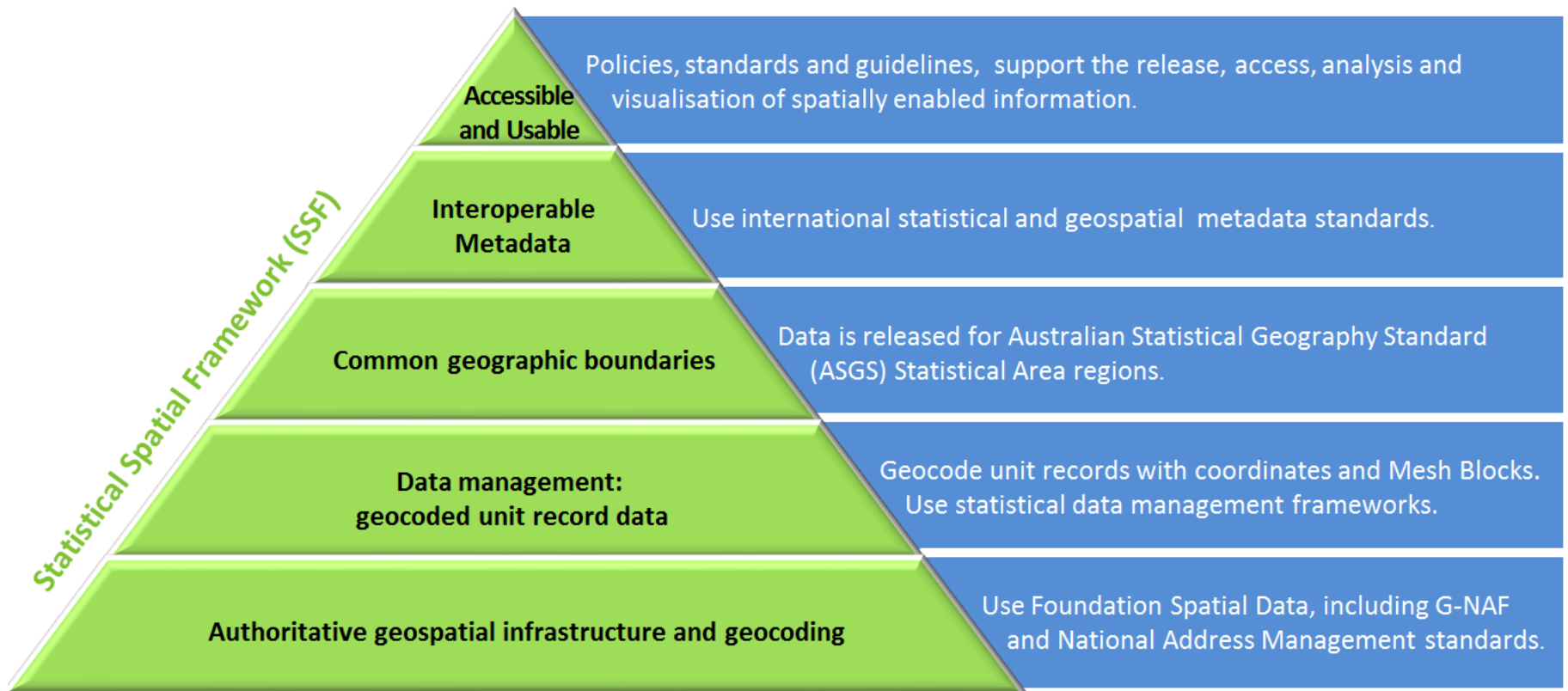
BETTER DATA
BETTER LIVES

unstats.un.org

@UNStats #UNStatCom

Australian SSF

Australian application of SSF



UN-GGIM

United Nations Committee of Experts on
Global Geospatial Information Management



BETTER DATA
BETTER LIVES

unstats.un.org

@UNStats #UNStatCom

International Mandate



UN Economic and Social Council (ECOSOC)

UN Statistical Commission (UNSC)

- **Endorsed the Global Framework
- March 2017**

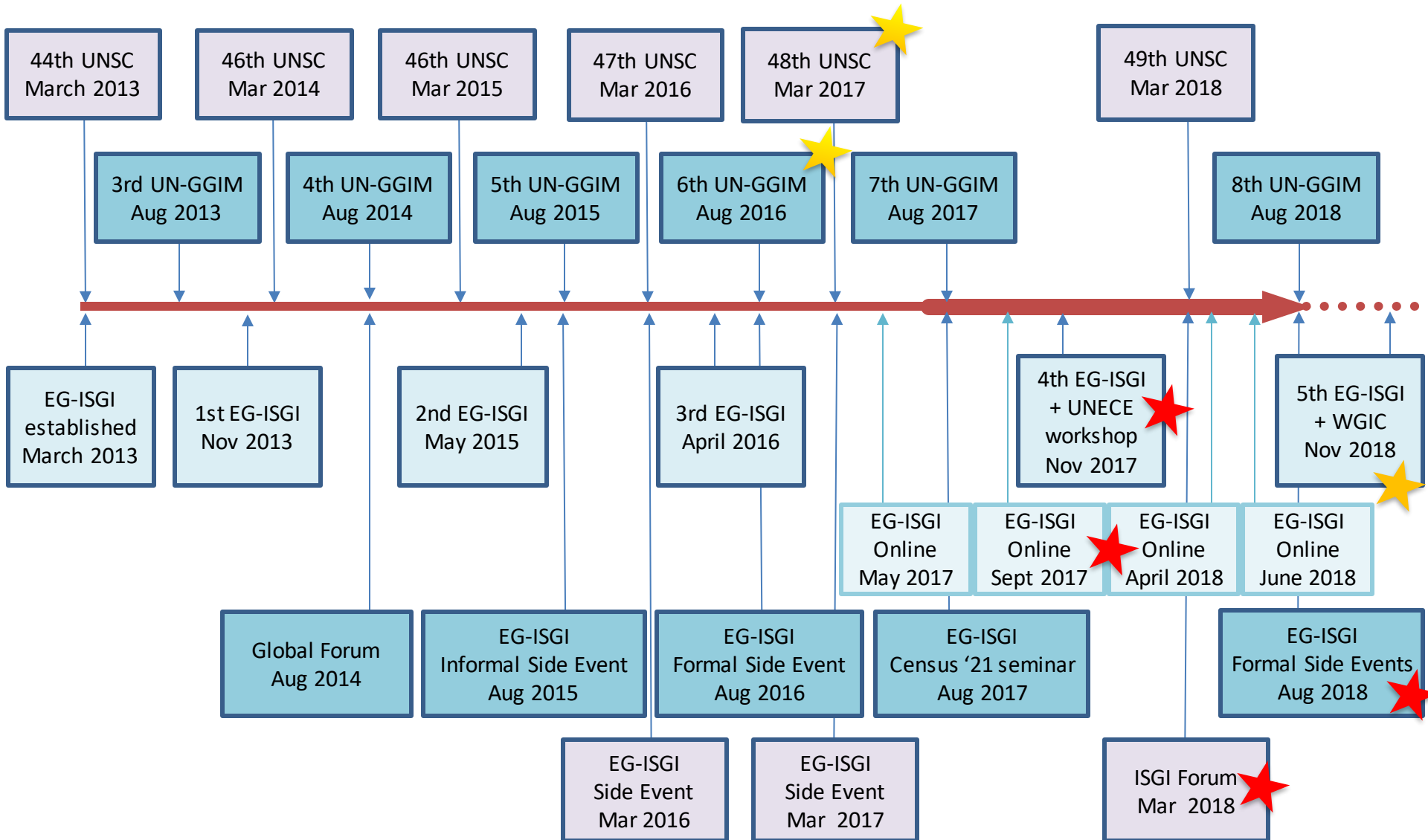
**UN Committee of Experts on
Global Geospatial Information
Management (UN-GGIM)**

- **Adopted the Global Framework
- August 2016**

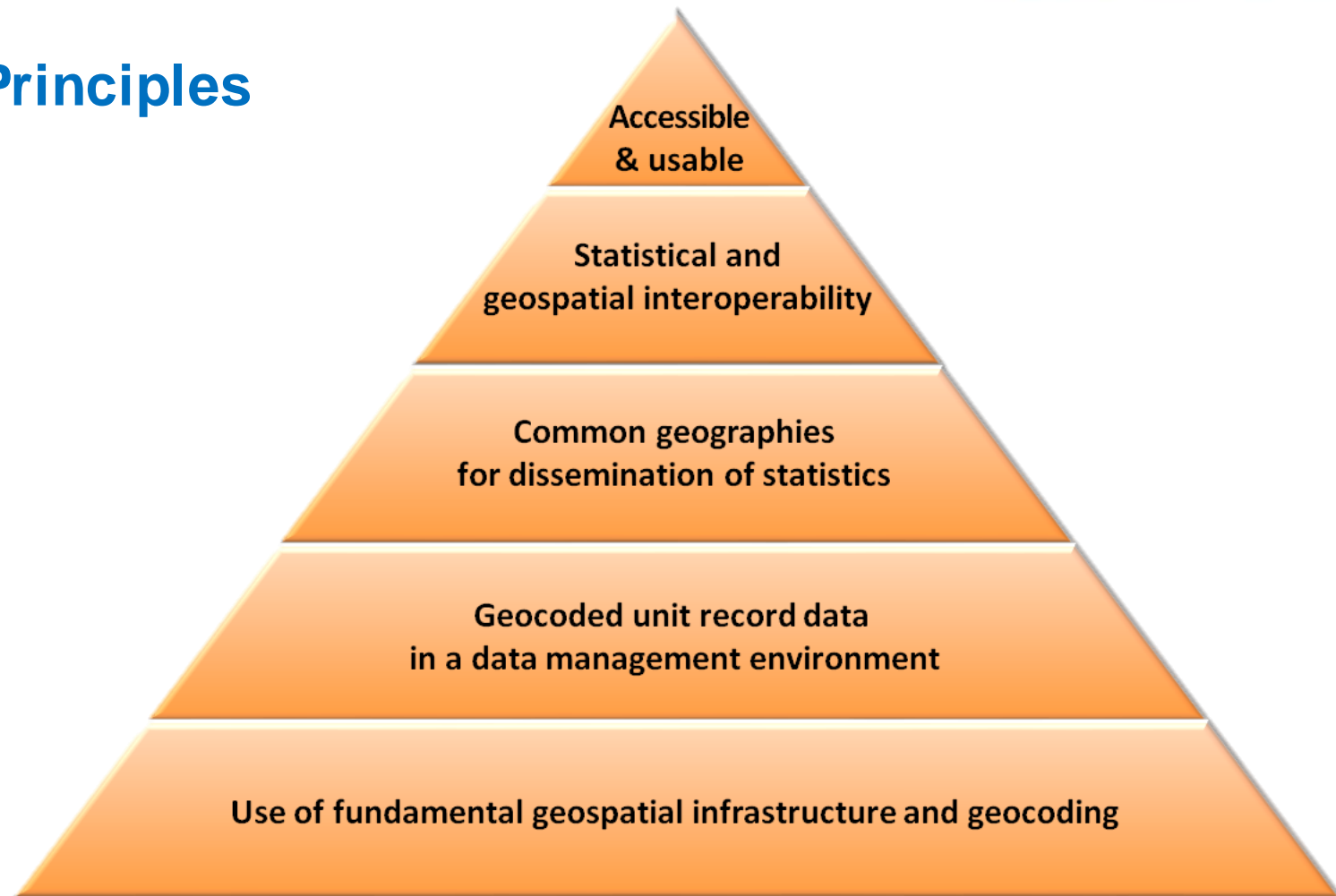
**UN Expert Group – Integration of
Statistical Geospatial Information**

.... both communities

EG-ISGI: Timeline



5 Principles



GSGF Purpose

“The Global Statistical Geospatial Framework will provide:

- a common method for geospatially enabling statistical and administrative data,
- ensure that this data can be integrated with geospatial information.”

Proposal for a Global Statistical Geospatial Framework, UN-GGIM 6, 2016 New York



UN-GGIM

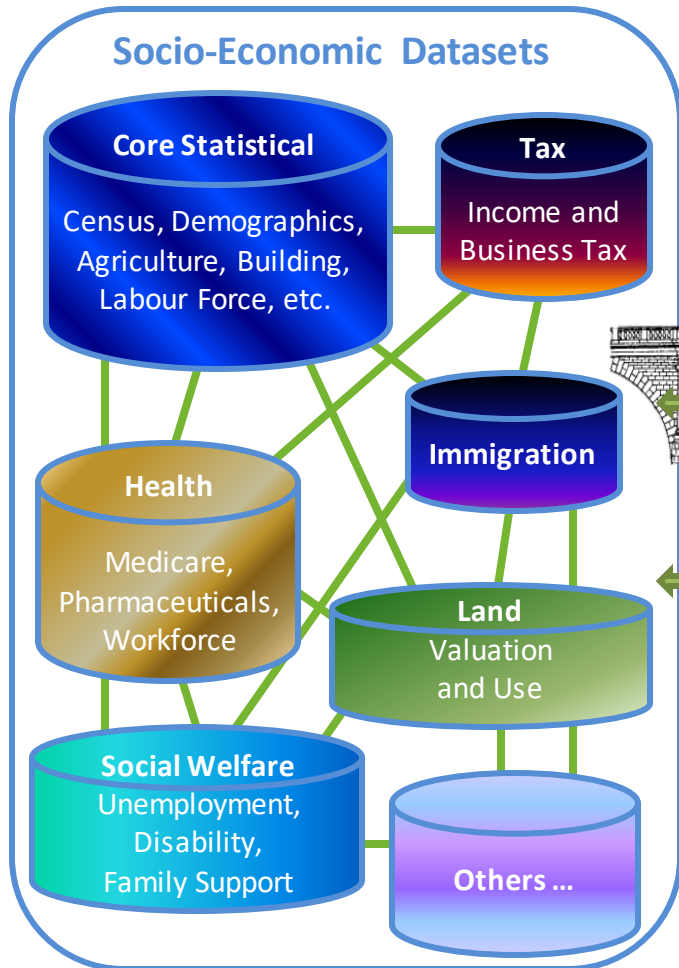
United Nations Committee of Experts on
Global Geospatial Information Management



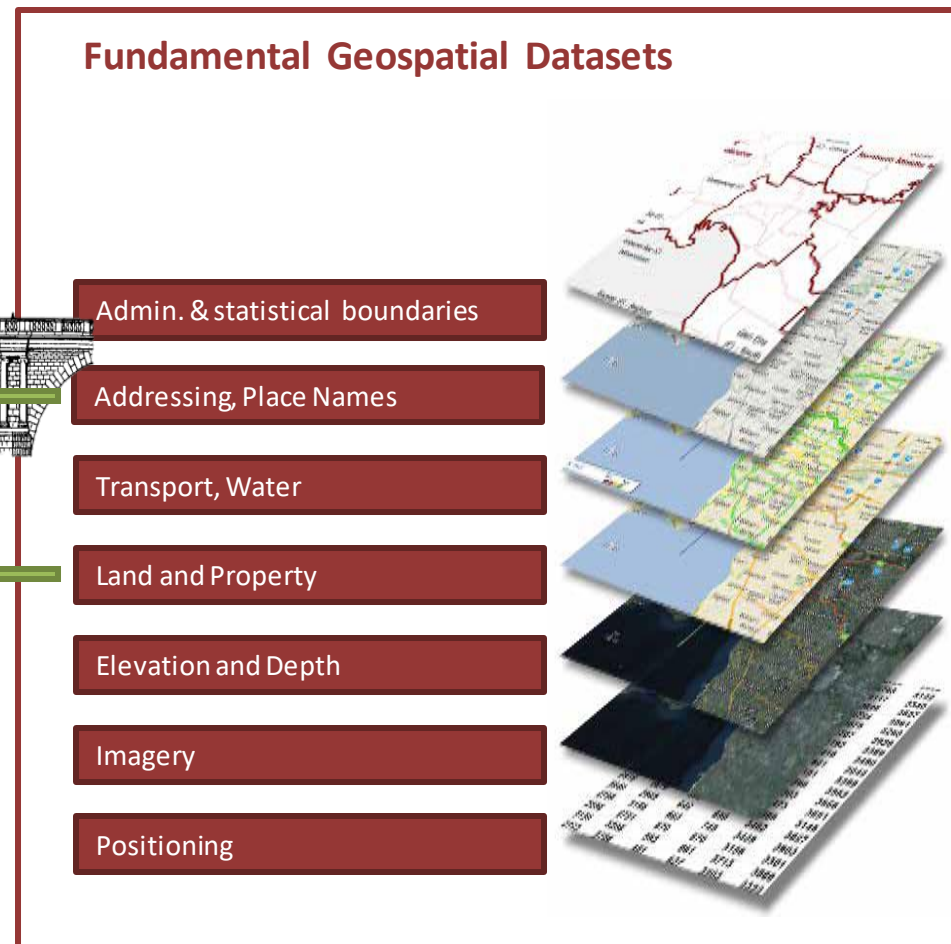
Bridging between two communities



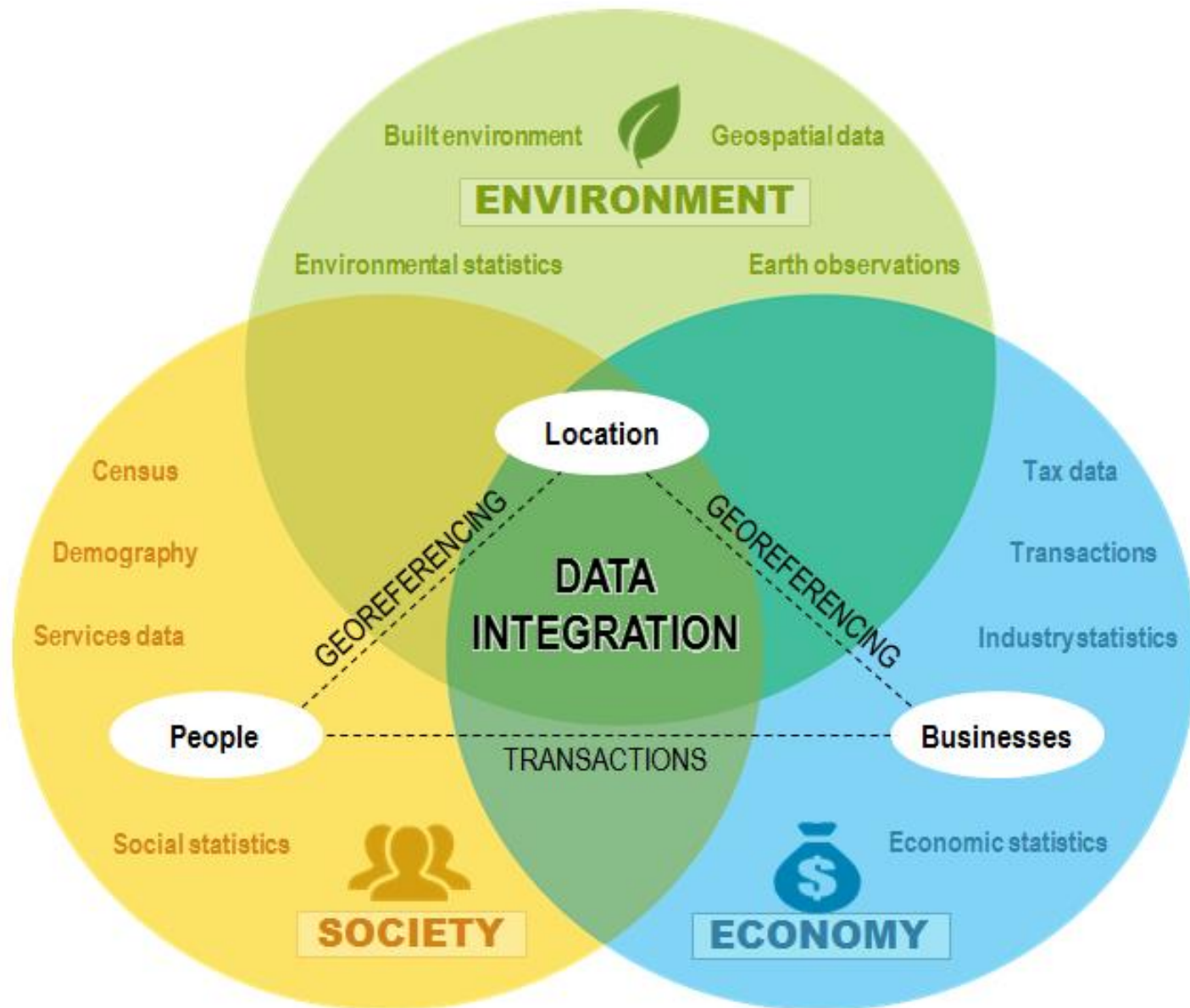
Statistical Community



Spatial Community



Location – bridging the 3 domains



EG-ISGI future plans

- Elaboration, promotion and implementation of the Framework
- Capability-building and knowledge management
- Showcase country and regional implementations
- Promote and support statistical-geospatial interoperability initiatives
- Coordinate, incorporate and build on the work done by stakeholder organisations



UN-GGIM

United Nations Committee of Experts on
Global Geospatial Information Management



BETTER DATA
BETTER LIVES

unstats.un.org

@UNStats #UNStatCom

GSGF – Status paper

Global Statistical Geospatial Framework: Linking Statistics and Place

Current status and plans for development
July 2018

United Nations Expert Group on the
Integration of Statistical and Geospatial
Information

GGIM 8 meeting docs *or* **EG-ISGI webpage**



UN-GGIM

United Nations Committee of Experts on
Global Geospatial Information Management



BETTER DATA
BETTER LIVES

unstats.un.org

@UNStats #UNStatCom



GSGF Principle Working Groups



UN-GGIM

United Nations Committee of Experts on
Global Geospatial Information Management



GSGF Principle Task Teams



Lead countries - GSGF principles

GSGF Principle	Lead countries/orgs
Principle 1: Use of fundamental geospatial infrastructure and geocoding	Mexico / Germany
Principle 2: Geocoded unit record data in a data management environment	Australia / Sweden
Principle 3: Common geographies for dissemination of statistics	Poland / Candada
Principle 4: Statistical and geospatial interoperability	Eurostat / UNECE
Principle 5: Accessible and usable geospatially enabled statistics	UK / USA

UNSD
Secretariat

UN EG-ISGI

Co-chairs & UN EG-ISGI members

- GSGF Development
- Coordination and oversight

UN-GGIM
Knowledge Base

GSGF Principle
task team 1

GSGF Principle
task team 2

GSGF Principle
task team 3

GSGF Principle
task team 4

GSGF Principle
task team 5

Common for all GSGF Principle working groups, each should include as appropriate:
EG-ISGI-group, Regional bodies, NMCA's, Other countries, Other organisations

Work program

Work program

Work program

Work program

Work program

Common for all work programs:

Specific tasks for the principle | Specify broad implementation goals | Specify optimum implementation model
Collection of reference material, papers, guidelines, country implementation examples

Cross cutting issues - terminology, privacy and confidentiality, legal mandates, technical standards



UNECE & UN-GGIM: Europe



Workshop on Integrating Geospatial and Statistical Standards 2017

Stockholm, Sweden 6-8 Nov., 2017



UN-GGIM

United Nations Committee of Experts on
Global Geospatial Information Management



BETTER DATA
BETTER LIVES

unstats.un.org

@UNStats #UNStatCom

Interoperability

Short-term high impact projects

- Increasing visibility across communities of standards, framework and technologies
- Increase understanding of data exchange points across two communities
- Specific projects on pain points
 - identifiers, semantics and data storage



UN-GGIM

United Nations Committee of Experts on
Global Geospatial Information Management



Interoperability



Longer term proposals

- Increased collaboration and communication on standards across two communities
- Including geospatial processes and information in statistical frameworks and models
- Including statistics among the global fundamental geospatial data themes
- Core geospatial metadata for statistical products
- Collaboration on address and building registers



UN-GGIM

United Nations Committee of Experts on
Global Geospatial Information Management



Looking Forward

- Grow geospatial community engagement
- Follow through to further elaborate Global Framework and provide supporting material
- Work to enhance interoperability
- Promote and support implementation of the Global Framework
- Work on statistical-geospatial coordination, particularly on SDGs and 2021 Census



UN-GGIM

United Nations Committee of Experts on
Global Geospatial Information Management



BETTER DATA
BETTER LIVES

unstats.un.org

@UNStats #UNStatCom

EG-ISGI meetings



**UNITED NATIONS
WORLD GEOSPATIAL
INFORMATION CONGRESS**

**Deqing, Zhejiang Province, China
19-21 November 2018**

- ❖ Session on Statistical Geospatial Integration
- ❖ EG-ISGI formal meeting



UN-GGIM

United Nations Committee of Experts on
Global Geospatial Information Management



**BETTER DATA
BETTER LIVES**

unstats.un.org

@UNStats #UNStatCom