



# UN Expert Group for the Integration of Statistical and Geospatial Information

Co-Chairs UN Expert Group

Paloma Merodio – INEGI, Mexico

Martin Brady – ABS, Australia



UN-GGIM

United Nations Committee of Experts on  
Global Geospatial Information Management



# International Mandate



UN Economic and Social Council (ECOSOC)

UN Statistical Commission (UNSC)

- Endorsed the Global Framework  
- March 2017

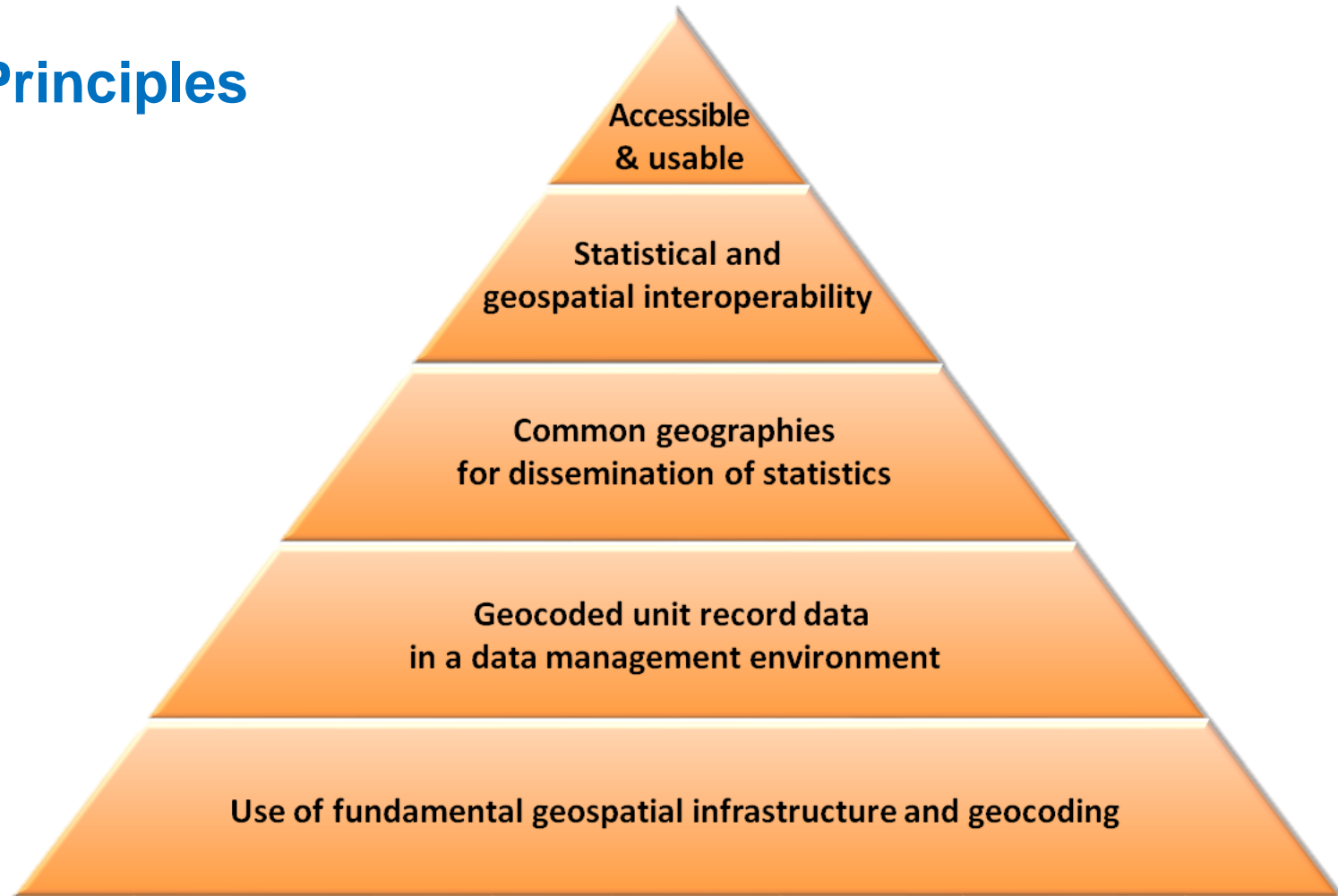
UN Committee of Experts on  
Global Geospatial Information  
Management (UN-GGIM)

- Adopted the Global Framework  
- August 2016

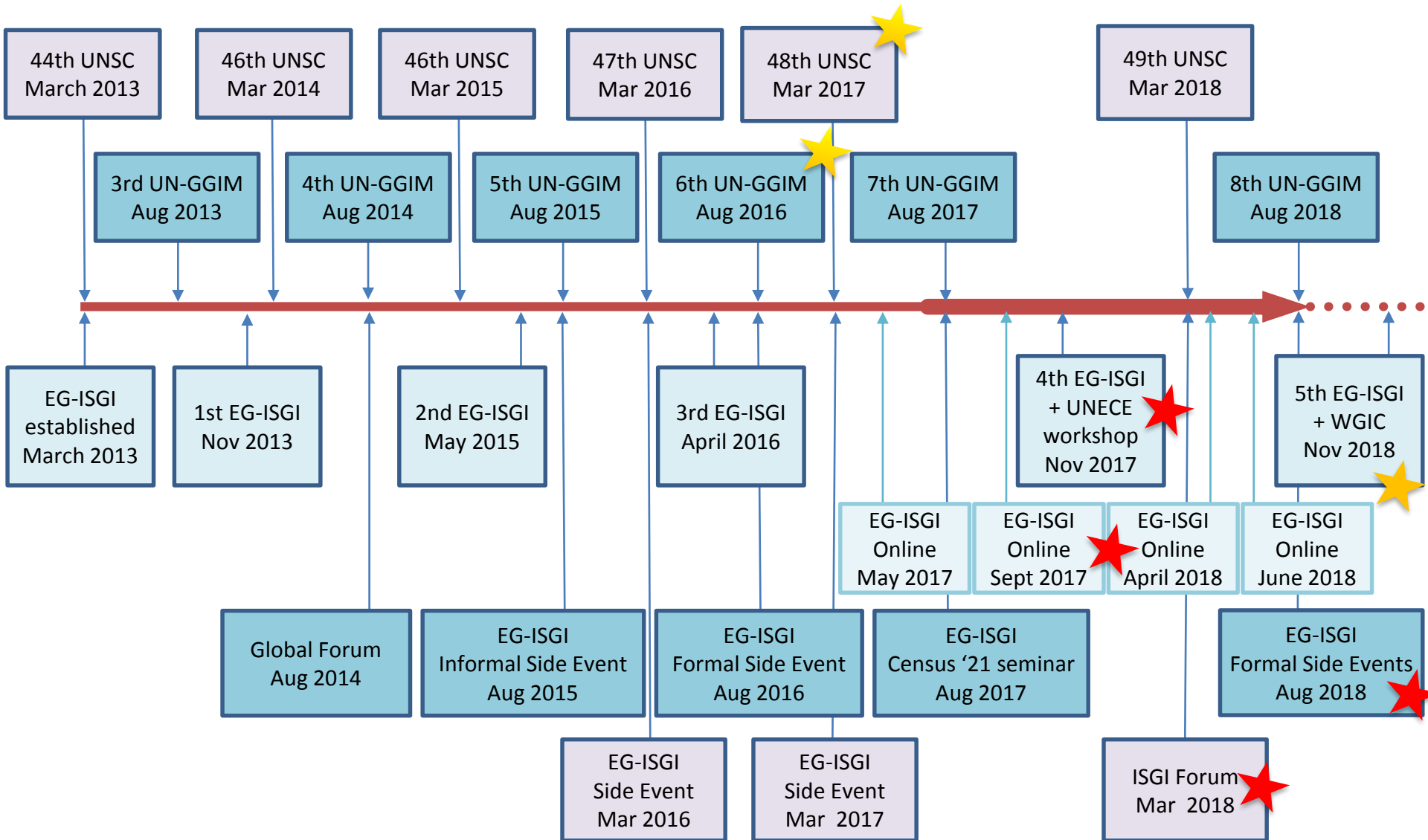
UN Expert Group – Integration of  
Statistical Geospatial Information

.... both communities

## 5 Principles



# EG-ISGI: Timeline



# 48th UN Statistical Commission



- Statistical Geospatial Integration Forum side event
- Statistical Commission noted the report of the Expert Group

*“all statistical unit record data should be collected or associated with a location reference”*



UN-GGIM

United Nations Committee of Experts on  
Global Geospatial Information Management



# EG-ISGI meetings

- Stockholm formal EG-ISGI meeting
- 3 online EG-ISGI meetings
- Formation of GSGF Principle Task Teams
- ❖ World Geospatial Information Congress  
November 2018, Deqing, China
  - Session on Statistical Geospatial Integration
  - EG-ISGI formal meeting



UN-GGIM

United Nations Committee of Experts on  
Global Geospatial Information Management



# EG-ISGI future plans

- Elaboration, promotion and implementation of the Framework
- Capability-building and knowledge management
- Showcase country and regional implementations
- Coordinate, incorporate and build on the work done by stakeholder organisations
- Promote and support statistical-geospatial interoperability initiatives



UN-GGIM

United Nations Committee of Experts on  
Global Geospatial Information Management



BETTER DATA  
BETTER LIVES

unstats.un.org

@UNStats #UNStatCom

# GSGF Principle Task Teams



## Lead countries - GSGF principles

GSGF Principle	Lead countries/orgs
Principle 1: Use of fundamental geospatial infrastructure and geocoding	Mexico / Germany
Principle 2: Geocoded unit record data in a data management environment	Australia / Sweden
Principle 3: Common geographies for dissemination of statistics	Poland / Candada
Principle 4: Statistical and geospatial interoperability	Eurostat / UNECE
Principle 5: Accessible and usable geospatially enabled statistics	UK / USA



**UNSD  
Secretariat**

## UN EG-ISGI

Co-chairs & UN EG-ISGI members

- GSGF Development
- Coordination and oversight

**UN-GGIM  
Knowledge Base**

GSGF Principle  
task team 1

GSGF Principle  
task team 2

GSGF Principle  
task team 3

GSGF Principle  
task team 4

GSGF Principle  
task team 5

Common for all GSGF Principle working groups, each should include as appropriate:  
EG-ISGI-group, Regional bodies, NMCAs, Other countries, Other organisations

Work program

Work program

Work program

Work program

Work program

Common for all work programs:

Specific tasks for the principle | Specify broad implementation goals | Specify optimum implementation model  
Collection of reference material, papers, guidelines, country implementation examples

Cross cutting issues - terminology, privacy and confidentiality, legal mandates, technical standards

# GSGF – Status paper

## Global Statistical Geospatial Framework: Linking Statistics and Place

Current status and plans for development  
July 2018

United Nations Expert Group on the  
Integration of Statistical and Geospatial  
Information

**GGIM 8 meeting docs** *or* **EG-ISGI webpage**



UN-GGIM

United Nations Committee of Experts on  
Global Geospatial Information Management



BETTER DATA  
BETTER LIVES

[unstats.un.org](http://unstats.un.org)

@UNStats #UNStatCom



# UNECE & UN-GGIM: Europe



## Workshop on Integrating Geospatial and Statistical Standards 2017

Stockholm, Sweden 6-8 Nov., 2017



UN-GGIM

United Nations Committee of Experts on  
Global Geospatial Information Management



BETTER DATA  
BETTER LIVES

[unstats.un.org](http://unstats.un.org)

@UNStats #UNStatCom

# Interoperability

## Short-term high impact projects

- Increasing visibility across communities of standards, framework and technologies
- Increase understanding of data exchange points across two communities
- Specific projects on pain points
  - identifiers, semantics and data storage



UN-GGIM

United Nations Committee of Experts on  
Global Geospatial Information Management



BETTER DATA  
BETTER LIVES

unstats.un.org

@UNStats #UNStatCom

# Interoperability



## Longer term proposals

- Increased collaboration and communication on standards across two communities
- Including geospatial processes and information in statistical frameworks and models
- Including statistics among the global fundamental geospatial data themes
- Core geospatial metadata for statistical products
- Collaboration on address and building registers



UN-GGIM

United Nations Committee of Experts on  
Global Geospatial Information Management



BETTER DATA  
BETTER LIVES

[unstats.un.org](http://unstats.un.org)

@UNStats #UNStatCom

# GGIM8 side events

- OGC Statistical Domain Working Group
- Integration of Statistical and Geospatial Information open briefing
- EG-ISGI working meeting



UN-GGIM

United Nations Committee of Experts on  
Global Geospatial Information Management



# Looking Forward

- Grow geospatial community engagement
- Follow through to further elaborate Global Framework and provide supporting material
- Work to enhance interoperability
- Promote and support implementation of the Global Framework
- Work on statistical-geospatial coordination, particularly on SDGs and 2021 Census



UN-GGIM

United Nations Committee of Experts on  
Global Geospatial Information Management



# Report - points for discussion



## The Committee of Experts is invited to:

- (a) Take note of the present report and express its views on the activities and progress of the Expert Group;
- (b) Express its views and provide guidance on the six key issues identified as area of focus for the current activities of the Expert Group;
- (c) Express its views and provide guidance on the recommendations for short-term and longer-term statistical-geospatial interoperability projects (Annex I to this present report); and
- (d) Agree that the Expert Group focus on the six identified issues within its current activities, and endorse the recommendations for short-term and longer-term statistical-geospatial interoperability projects.



UN-GGIM

United Nations Committee of Experts on  
Global Geospatial Information Management



BETTER DATA  
BETTER LIVES

[unstats.un.org](http://unstats.un.org)

@UNStats #UNStatCom